

SPC-6000

System Control Keyboard

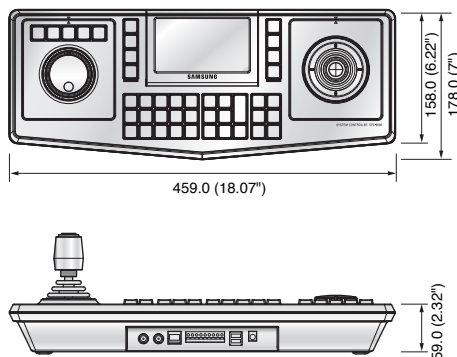


Key Features

- 5" TFT touch LCD
- Control PTZ dome cameras, DVRs and matrix switchers
- Centralized control of up to 255 units with a single controller
- Connect up to 16 controllers in a system
- Ergonomic design and easy-to-use keypad
- 3D joystick to control PTZ function
- Detachable joystick/jogshuttle for universal use (right/left hand use)
- Support for multi-protocol
- User friendly GUI

Dimensions

Unit : mm (inch)



Technical Specifications

SPC-6000		
COMMUNICATION		
Interface	RS-485/422 (Operating distance 1km), TTL (Matrix)	
Data Port	8-pin RJ-45 connector (Female) (RS-485 serial port) BNC (Video input, Loop through), USB 2.0 (F/W updatable)	
Baud Rate	2,400 ~ 38,400bps	
Protocol	PTZ	Samsung-T/E, Pelco-D/P, Panasonic, Vicon, AD, Honeywell, ELMO, Bosch, GE
	DVR	SRD, SVR
	Matrix	SMX-25632
	Receiver	Samsung-T
OPERATIONAL		
LCD Display	5" TFT touch LCD	
Joystick	3 Axis twist zoom	
Jog Shuttle	DVR playback control	
On Screen Display	English, French, German, Spanish, Italian, Chinese, Russian, Polish, Czech, Romanian, Serbian, Swedish, Danish, Turkish, Portuguese	
ENVIRONMENTAL		
Operating Temperature	0°C ~ 40°C	
Operating Humidity	10 ~ 70% (Non-condensing)	
ELECTRICAL		
Input Voltage / Current	12V DC / 4A	
Power Consumption	Max. 4W	
MECHANICAL		
Dimensions (WxHxD)	459.0 x 59.0 x 178.0mm (18.07" x 2.32" x 7")	
Weight	1.5Kg (3.3 lb)	

System Configuration

